

## Portable Eyewash with Mobile Waste Cart

- Mobile waste cart adds portability and even holds the unit, also, collects waste water
- Perfectly equipped with WG6000A and WG6000B
- After placing on the cart, the spray heads are located between 83.8-134.6cm from the floor, which comply with ANSI Z358.1-2014
- Highly visible yellow, rugged polyethylene construction is well suited to long term use in harsh environments
- Built in handle for easy transport is great for use on remote site
- Petcock on the bottom for easy drainage
- Comes equipped with two rigid casters in front and two swivel casters with "Total Lock" brakes in back
- Includes clearly marked eyewash signs
- Cart has 37.5-gallon (142 liter) capacity and measures 86H x 61.5W x 52D (cm)



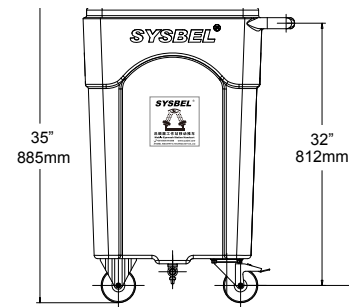
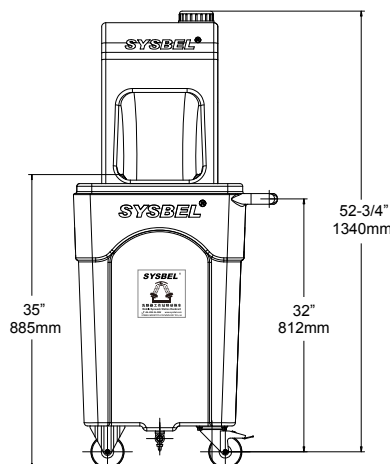
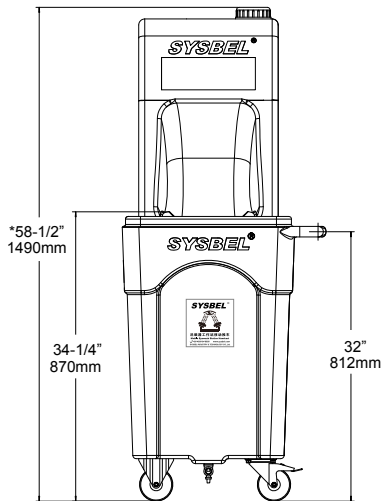
WG6000AD



WG6000BD



WG005



### Portable Eyewash with Mobile Waste Cart

Main Material	Water Capacity(L/Gal)	Flow Speed(L/min)	Flushing Time (min)	Product Mix	G.W.(kgs.)	N.W.(kgs.)	Certification	Model
Popolyethylene	60/16	2.6	18	WG6000A+WG005	27.5	26.5	ANSI Z358.1 AS 4775 CE	WG6000AD
Popolyethylene	30/8	2.6	9	WG6000B+WG005	25	24		WG6000BD

### Mobile Waste Cart

Material	Capacity(Gal/L)	Ext.size(cm)H*W*D	Packing size(cm)H*W*D	G.W.(kgs.)	N.W.(kgs.)	Model
Popolyethylene	37.5/142	860×615×520	760×629×535	18	16	WG005